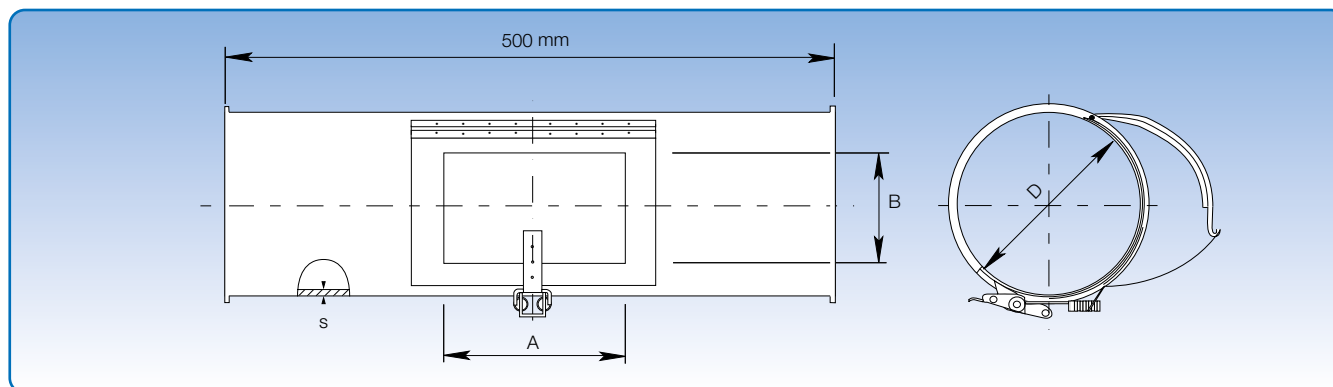


Ducts with access door, galvanised



Dimensional specifications are given in the table below.

Diameter: $\varnothing 80 - \varnothing 1000$ mm.

Access doors are made of 1.25 mm galvanised sheet metal, such that the inside is smooth and has a close fit.

Item no.	Dimensions			Weight kg
	D mm	s mm	B x A mm	
4670371	80	0,90	80 x 150	0,80
4671371	100	0,90	100 x 150	1,00
4672371	120	0,90	100 x 150	1,20
4673371	125	0,90	100 x 150	1,25
4674371	140	0,90	100 x 150	1,40
4675371	150	0,90	100 x 150	1,50
4676371	160	0,90	100 x 150	1,60
4677371	180	0,90	100 x 150	1,75
4678371	200	0,90	100 x 150	2,00
4679371	225	0,90	100 x 150	2,25
4680371	250	0,90	150 x 200	2,50
4680379	275	0,90	150 x 200	2,65
4681371	300	0,90	150 x 200	2,85
4682371	315	0,90	150 x 200	3,00
4683371	350	0,90	150 x 200	3,25
4684371	400	0,90	150 x 200	4,50
4685371	450	0,90	150 x 200	5,15
4686371	500	0,90	150 x 200	5,70
4687371	550	0,90	150 x 200	6,25
4688371	600	0,90	150 x 200	6,80
4689371	630	0,90	150 x 200	7,20
4690371	650	0,90	150 x 200	7,50
4691371	700	0,90	150 x 200	8,00
4692371	750	0,90	150 x 200	8,50
4693371	800	1,00	150 x 200	10,00
4694371	850	1,00	150 x 200	10,75
4695371	900	1,00	150 x 200	11,50
4696371	950	1,00	150 x 200	12,25
4697371	1000	1,00	150 x 200	13,00

Item numbers designated with $D \leq 800$ mm are for ducts assembled with pull rings [f.b]. Item numbers designated $D \geq 850$ mm are for ducts with loose flanges [f.b.m.fl].

Ducts with access doors are also available for other assembly methods. See p. 6 for assembly methods.