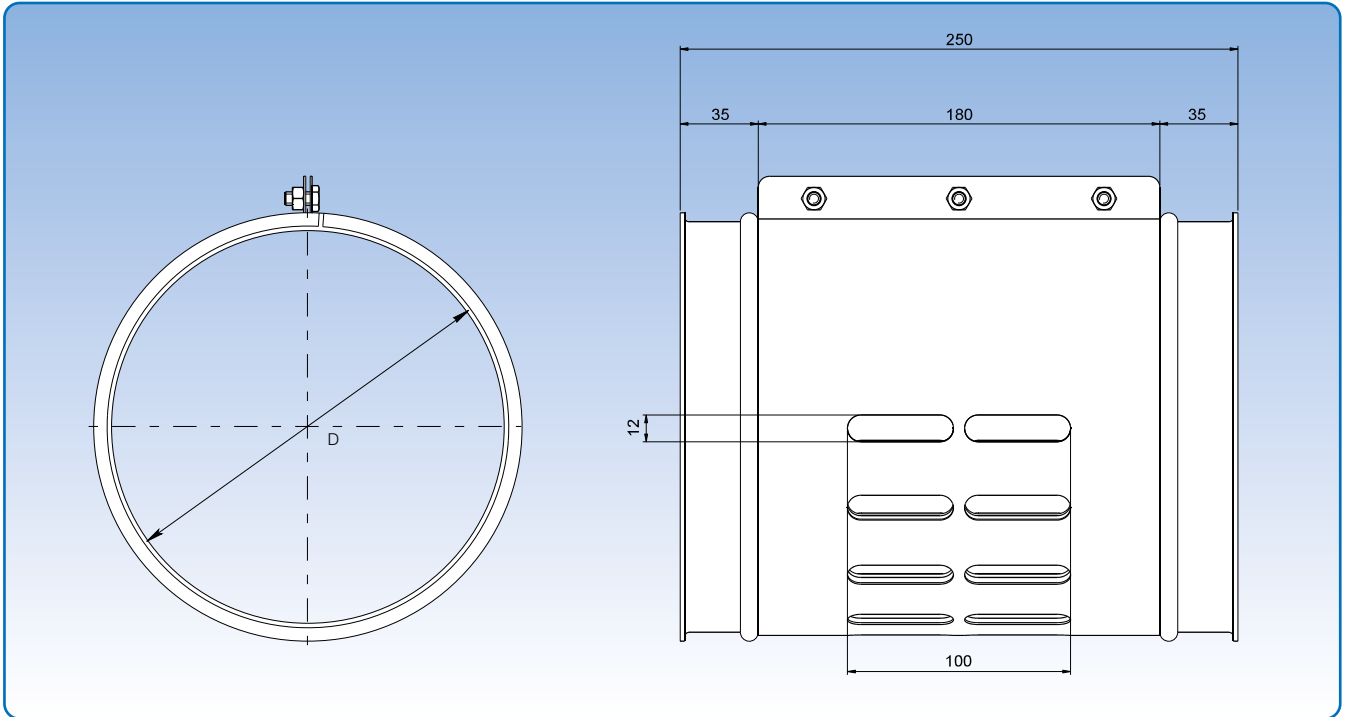


False air valves, stainless steel



Diameter: $\varnothing 80 - \varnothing 200$ mm.

False air valves are made of 0.80 mm sheet metal.

"False" air is regulated by turning the external button.

Item no.	Dimensions		Weight kg
	D mm		
4670903	80		0,75
4671903	100		0,95
4672903	120		1,10
4673903	125		1,15
4674903	140		1,25
4675903	150		1,40
4676903	160		1,75
4677903	175		1,90
4678003	180		2,00
4678903	200		2,15

The item numbers stated are for false air valves assembled using pull rings [f.b].

False air valves are also available for other assembly methods. See p. 5 for assembly methods.