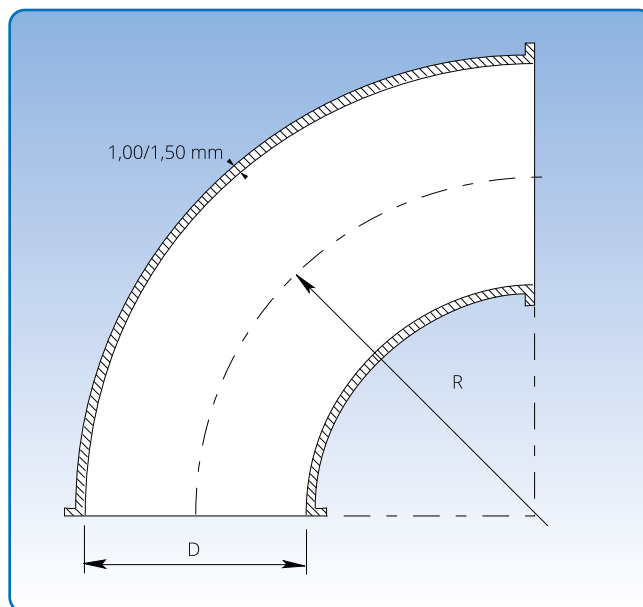


Pressed bends, stainless steel

Diameter: $\varnothing 80$ - $\varnothing 200$ mm.

The bends are pressed.

Bends $\varnothing 80$ - $\varnothing 150$ mm are made of 1.00 mm sheet metal,
and bends $\varnothing 200$ mm are made of 1.50 mm sheet metal.



Dimensional specifications are given in the table below.
Diameter = (D). $R = 2 \times D$ for all dimensions.

Dimensions									
D mm	90°		60°		45°		30°		kg
	Item no.	kg	Item no.	kg	Item no.	kg	Item no.	kg	
80	11990892	0,95	11990862	0,65	11990842	0,50	11990832	0,35	
100	11991092	1,55	11991062	1,10	11991042	0,85	11991032	0,60	
120	11991292	2,20	11991262	1,50	11991242	1,15	11991232	0,80	
150	11991592	3,50	11991562	2,40	11991542	1,80	11991532	1,25	
200	11992092	9,15	11992062	6,15	11992042	4,50	11992032	3,15	

The item numbers stated are for bends assembled using pull rings [f.b].

Bends are also available for other assembly methods. See p. 5 for assembly methods.