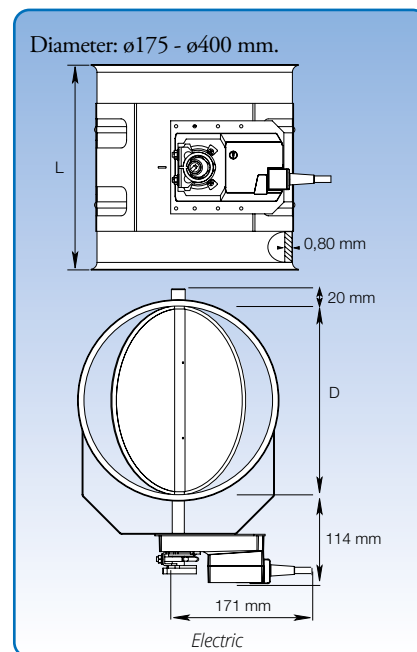
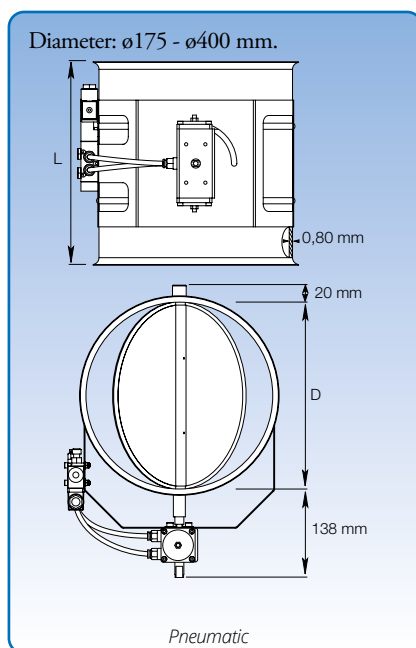
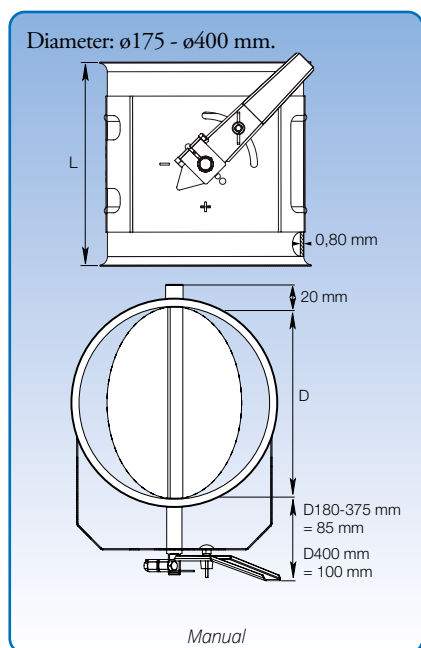


## Throttle valves, stainless steel, manual, pneumatic and electric



### General

Throttle valves are made of 0.80 mm sheet metal and damper in double sheet.  
Throttle handle indicates damper position, and can be variably set between open and closed.  
Available with natural rubber gasket.  
Maximum closure of throttle valves is 96%.

### With pneumatic actuator

The damper is turned by a pneumatic actuator controlled by an electrically-operated valve.  
Solenoid valve: monostable 5/2 valve with 1 x 230 V AC - 50/60 Hz electric coil or 24 V DC.  
Pneumatic pressure: 4-6 bar. Setting indicators showing damper position are available as an optional extra.

### With electric actuator

Damper is operated by an electric motor activated by a changeover switch.  
Setting indicators showing damper position are available as an optional extra.  
Electrical connection: 230 V AC - 50 Hz or 24 V DC.

Item no. (Man.)	Item no. (Pneu.)	Item no. (Elec.)	Dimensions		Weight (Man.) kg	Weight (Pneu.) kg	Weight (Elec.) kg
			D mm	L mm			
1501322	1501342	1501332	175	210	1,94	3,32	3,10
1501347	1501348	1501338	180	210	2,20	4,00	3,10
1501352	1501372	1501362	200	210	2,28	5,20	3,41
1501382	1501402	1501392	224	240	2,78	4,20	2,87
1501412	1501432	1501422	250	265	3,29	4,73	4,47
1501472	1501492	1501482	300	315	4,37	5,87	5,59
1501475	1501495	1501490	315	330	5,00	6,30	6,00
1501502	1501522	1501512	350	365	5,78	8,00	6,81
1501532	1501552	1501542	400	415	7,49	9,61	8,42
1501562	1501582	1501572	450	465	6,10	14,92	9,66
1501592	1501612	1501602	500	515	13,10	11,03	11,45
1501622			550	565	15,59		
1501652			600	615	19,41		
1501682			650	665	21,46		
1501712			700	715	24,29		
1501742			750	765	27,40		
1501772			800	815	32,05		

The item numbers stated are for throttle valves assembled using pull rings [f.b].

Throttle valves are also available for other assembly methods. See p. 5 for assembly methods.