

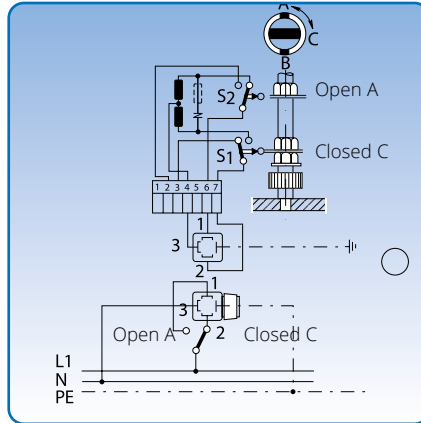
General and automation for sliding dampers, throttle valves and diverters

The circuit diagrams shown apply to standard systems for sliding dampers, diverters and throttle valves.

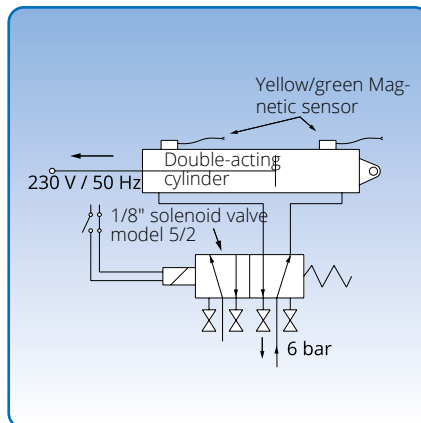
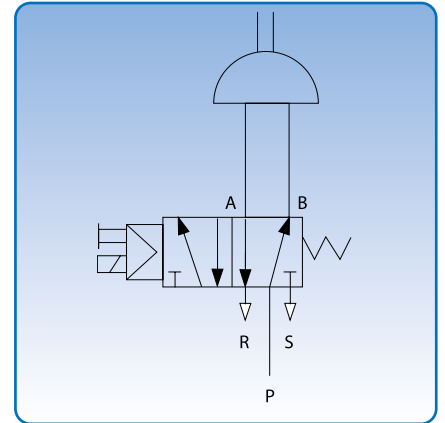
These systems are valid for pneumatic connection of max. 6 bar and mains connection of 230 V AC. Systems with other voltage ratings can be supplied.

Relevant circuit diagrams can be supplied for other voltages.

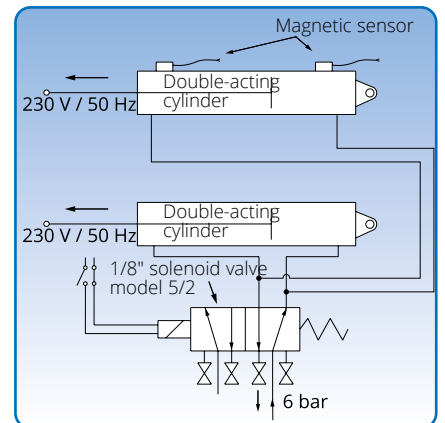
Diverters are constructed to divert the air, and the direction of the air flow must therefore be in accordance with illustration A.



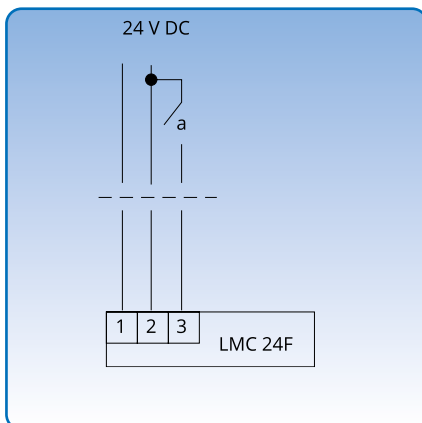
Circuit diagram for electrical motor for diverters, pressed, diameter: $\varnothing 100 - \varnothing 300$ mm.



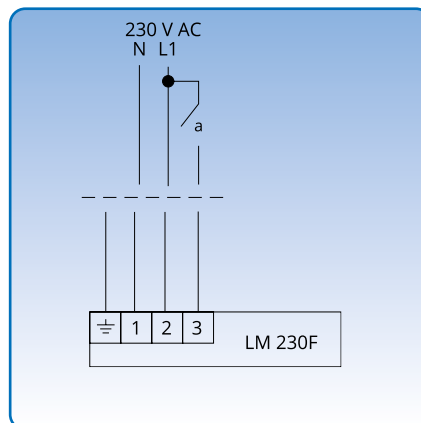
Circuit diagram for pneumatic cylinder for diverters, welded, diameter: $\varnothing 80 - \varnothing 550$ mm and sliding damper standard, diameter: $\varnothing 80 - \varnothing 550$ mm.



Circuit diagram for 2 pneumatic cylinders for tight sliding dampers, diameter: $\varnothing 80 - \varnothing 550$ mm.



Circuit diagram for 24 V DC electric motor for throttle valves.



Circuit diagram for 230 V AC electric motor for throttle valves.

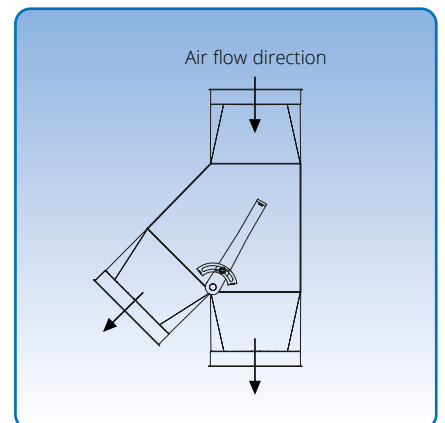


Illustration A