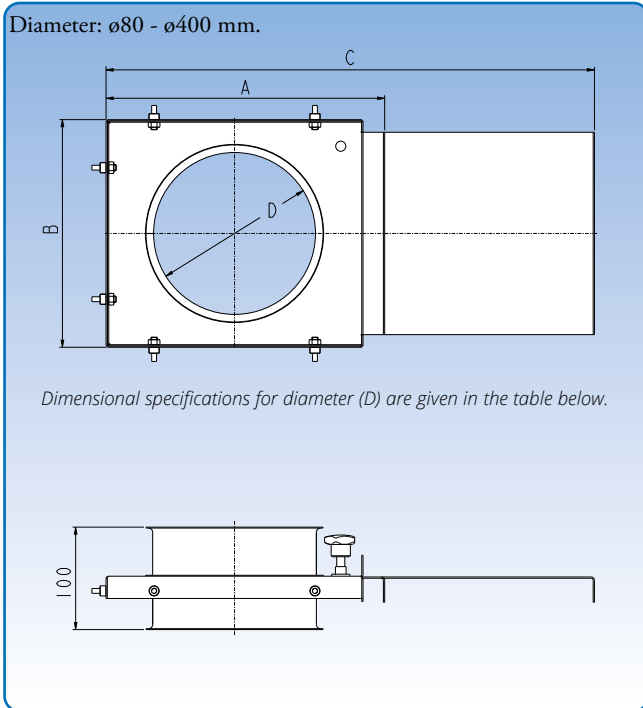


## Sliding dampers, galvanised, manual



Dimensional specifications for integration length (L) are given in the table below.

Sliding dampers are made of 1.25 and 1.50 mm galvanised sheet metal with a damper of 2.00 mm galvanised sheet metal.

Item no. (Man. fb)	Dimensions					Weight kg
	D mm	s1 mm	A mm	B mm	C mm	
14010112	80	1,25	240	185	415	1,61
14011112	100	1,25	240	185	415	1,61
14012112	120	1,25	240	185	415	1,59
14013112	125	1,25	240	185	415	1,59
14014112	140	1,25	275	225	480	2,10
14015112	150	1,25	275	225	480	2,11
14016112	160	1,25	275	225	480	2,00
14017112	180	1,25	345	295	625	3,27
14018112	200	1,25	345	295	625	3,19
14019112	225	1,5	375	330	645	4,40
14020112	250	1,5	375	330	655	4,20
14020142	275	1,5	450	400	775	6,00
14021112	300	1,5	450	400	775	5,80
14021142	315	1,5	450	400	795	5,60
14022112	350	1,5	480	430	860	6,25
14023112	400	1,5	540	485	970	7,76

The item numbers stated are for sliding dampers assembled using pull rings [f.b].

Sliding dampers are also available for other assembly methods. See p. 6 for assembly methods.