

Tapers, stainless steel

Diameter: $\varnothing 80 - \varnothing 400$ mm.

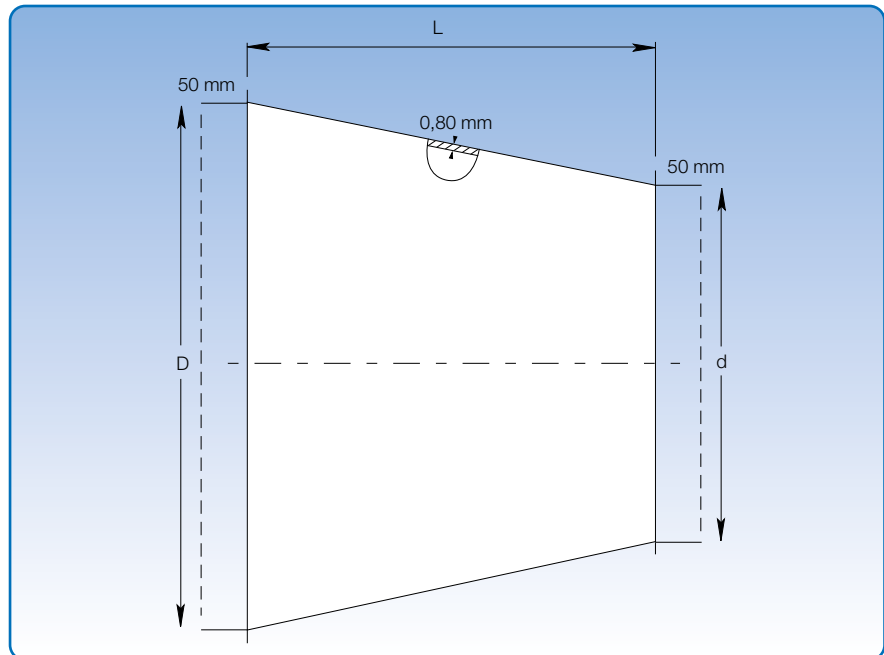
Tapers are spot welded and as standard made of 0.80 mm sheet metal.

When assembling with wide pull rings [f.bb] and loose flanges [f.b.m.fl], length (L) is increased by 2×50 mm.

State dimensions for D and d plus assembly method when ordering (p. 5). Length L is stated in the table below.

The item numbers stated are for tapers assembled using pull rings [f.b].

Tapers are also available for other assembly methods. See p. 5 for assembly methods.



Item no.	Dimensions			Weight kg
	D mm	d mm	L mm	
1899120	120	80	100	0,35
1899140	140	100	125	0,45
1899142	140	120	125	0,35
1899150	150	80	125	0,55
1899151	150	100	125	0,42
1899154	150	140	125	0,35
1899172	175	120	150	0,70
1899174	175	140	150	0,55
1899175	175	150	125	0,60
1899201	200	100	200	0,75
1899202	200	120	200	0,75
1899208	200	175	125	0,45
1899241	224	150	150	0,90
1899242	224	175	125	0,75
1899244	224	200	125	0,55
1899250	250	150	200	1,20
1899251	250	175	200	1,00
1899254	300	224	125	0,60
1899302	300	200	200	1,45
1899304	300	224	200	1,98
1899352	350	250	200	1,15
1899353	400	300	150	1,15
1899400	400	300	200	1,65
1899403	400	350	150	1,35