

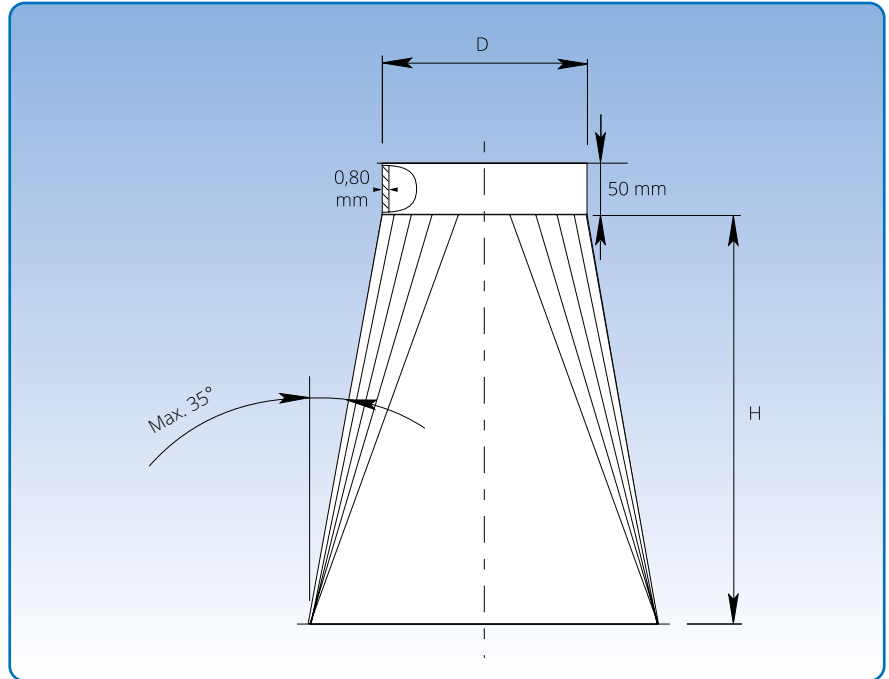
Transition pieces, stainless steel

Diameter: $\varnothing 80 - \varnothing 1000$ mm.

Transition pieces are spot welded and made of 0.80 mm sheet metal.

The transition pieces can be made to order in other dimensions, and they are also available in asymmetric format.

State dimensions for BU \times LU and D plus assembly method when ordering (p. 5).



Calculation of H:

$$H = 240 + 0,5 \times (\text{max. value of LU} - D) \text{ or } (BU - D)$$

Example:

$$D = 350, LU = 400, BU = 600, EXL = 200, EXB = 300$$

$$H = 240 + (0,5 \times 250) = 240 + 125$$

$$H = 365 \text{ mm}$$

