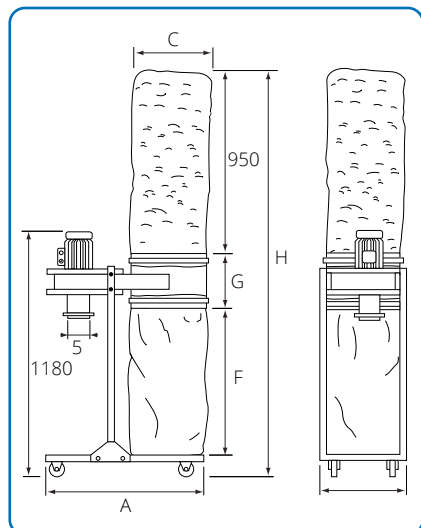
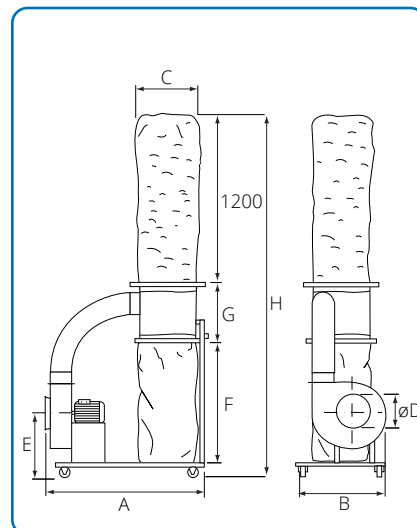


Movable dust filter type JK-12 TS, JK-20 TS, JK-22 TS and JK-25 TSD



Type JK-12 TS. Dimensions stated in mm.



Type JK-20 TS and JK-22 TS.

Movable dust filters from 0.75 kW to 4 kW are ideal for small extraction tasks, e.g. from one or two machines.

The filter medium is polyester.

All filters are fitted with removable refuse sacks with self-tightening snap-lock fittings for rapid replacement.

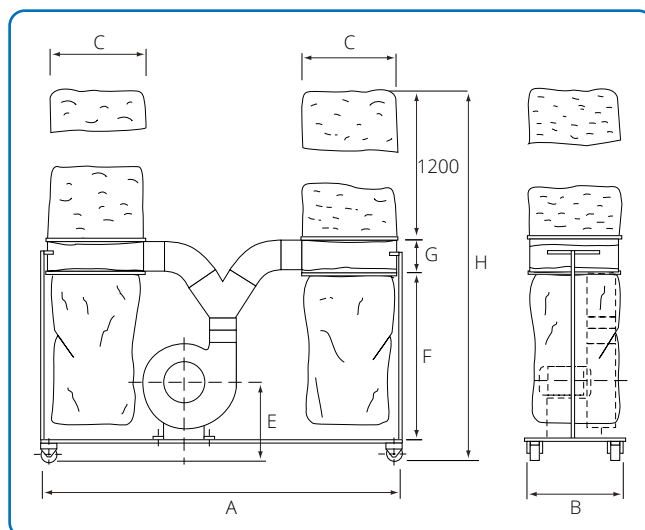
Movable dust filters can be connected to pipes or Vena-Pur flexible hoses.

Type JK-12 TS with a 0.75 kW motor produces 700 m³/h at a pressure of 70 mmVS.

Type JK-20 TS with a 1.1 kW motor produces 1,800 m³/h at a pressure of 120 mmVS.

Type JK-22 TS with a 2.2 kW motor produces 2,500 m³/h at a pressure of 160 mmVS.

Type JK-25 TSD with a 4.0 kW motor produces 3,500 m³/h at a pressure of 190 mmVS.



Type JK-25 TSD. Dimensions stated in mm.

| Type | Dimensions | | | | | | | | Weight kg |
|-----------|------------|---------|---------|---------|---------|---------|---------|---------|--------------|
| | A mm | B mm | C mm | D mm | E mm | F mm | G mm | H mm | |
| JK-12 TS | 850 | 460 | 400 | 5" | | 880 | 300 | 2255 | 78 |
| JK-20 TS | 1105 | 615 | 400 | 200 | 450 | 800 | 400 | 2525 | 89 |
| JK-22 TS | 1280 | 625 | 600 | 225 | 460 | 1070 | 300 | 2695 | 98 |
| JK-25 TSD | 2470 | 630 | 600 | 250 | 505 | 1100 | 300 | 2635 | 182 |