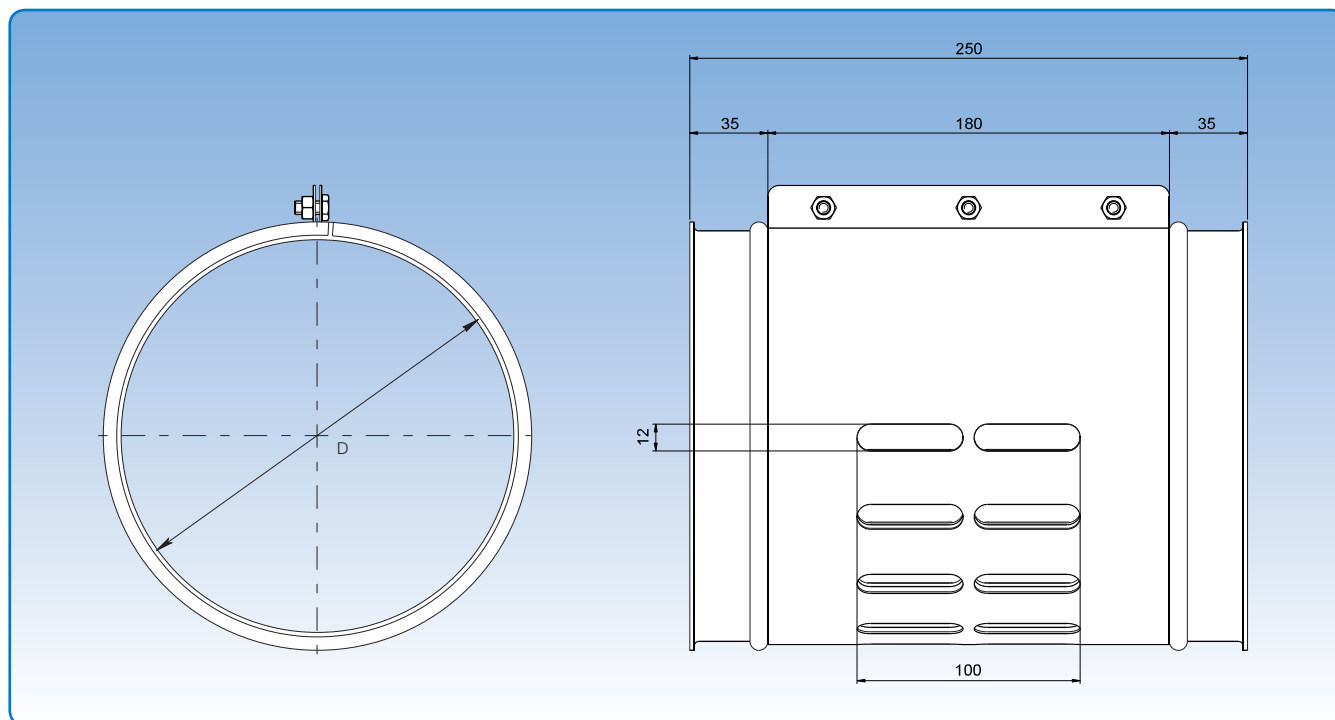


False air valves, galvanised



Diameter: $\varnothing 80 - \varnothing 400$ mm.

Made of 0.90 mm sheet metal.

"False" air is regulated by turning the external button.

| Item no. | Dimensions | | Weight kg |
|------------|------------|--|--------------|
| | D mm | | |
| 90500001 | 80 | | 0,95 |
| 90500002 | 100 | | 1,60 |
| 90500003 | 120 | | 0,90 |
| 9050000301 | 125 | | 0,95 |
| 905000031 | 140 | | 1,65 |
| 905000032 | 150 | | 1,25 |
| 905000033 | 160 | | 1,95 |
| 905000034 | 180 | | 2,20 |
| 905000035 | 200 | | 2,45 |
| 905000036 | 225 | | 2,80 |
| 905000037 | 250 | | 3,15 |
| 905000038 | 275 | | 3,50 |
| 905000039 | 300 | | 3,85 |
| 9050000391 | 315 | | 4,30 |
| 9050000392 | 350 | | 4,78 |
| 9050000393 | 400 | | 5,60 |

The item numbers stated are for false air valves assembled using pull rings [f.b].

False air valves are also available for other assembly methods. See p. 6 for assembly methods.