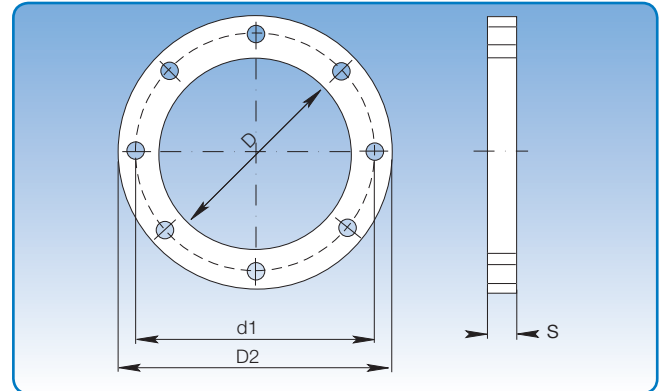
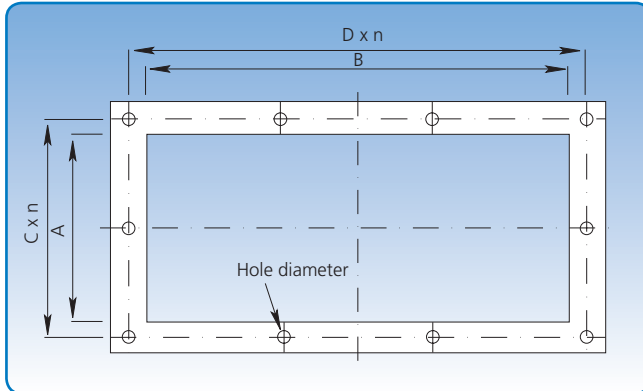


## Square flanges type A and round flanges



Square flange type A and round flanges.  
Dimensional specifications are given in the table below.

Square flanges	Dimensions						
	Fan type	A mm	B mm	C x n mm	D x n mm	Hole diameter mm	Material mm
JK-20D	140	140	85 x 2	85 x 2	11	30 x 6	1,04
T-200K/JK-22D	166	166	98 x 2	98 x 2	11	30 x 6	1,20
JK-25D	186	186	108 x 2	108 x 2	11	30 x 6	1,32
JK-30D/JK-30K	206	206	118 x 2	118 x 2	11	30 x 6	1,44
JK-35D	226	226	128 x 2	128 x 2	11	30 x 6	1,69
JK-40D/JK-40K	251	251	94 x 3	94 x 3	11	30 x 6	1,69
JK-30MTD/JK-30MT	251	251	94 x 3	94 x 3	11	30 x 6	1,71
T-300K	326	226	85 x 3	119 x 3	11	30 x 6	1,71
JK-45K	339	339	123 x 3	123 x 3	11	30 x 6	1,22
JK-40MTD/JK-40MT	350	350	95 x 4	95 x 4	11	30 x 6	2,14
JK-55K	418	418	112 x 4	112 x 4	11	30 x 6	2,74
JK-50MTD/JK-50MT	455	455	124 x 4	124 x 4	12	40 x 6	3,70
JK-60MTD/JK-60MT	505	505	109 x 5	109 x 5	12	40 x 6	4,00
JK-75K	555	704	119 x 5	124 x 6	12	40 x 6	5,14
JK-70MTD/JK-70MT	605	605	129 x 5	129 x 5	12	40 x 6	4,80
JK-80MTD/JK-80MT	705	705	149 x 5	149 x 5	12	40 x 6	5,58
JK-90MTD/JK-90MT	805	805	141 x 6	141 x 6	12	40 x 6	6,33
JK-100MT	905	905	135 x 7	135 x 7	12	40 x 6	7,10

Round flanges	Dimensions								
	Fan type	Diameter nominal	D mm	d1 mm	D2 mm	s mm	Flange width mm	Hole size mm	No. of holes
JK-30MT	300	305	336	355	5,00	25	9	12	1,00
JK-40MT	400	405	439	465	6,00	30	11	16	2,08
JK-50MT/JK-50LA	500	505	540	565	6,00	30	11	16	2,56
JK-60MT/JK-60LA	600	605	640	665	6,00	30	11	16	3,08
JK-70MT/JK-70LA	700	705	750	785	6,00	40	11	24	3,53
JK-80MT/JK-80LA	800	805	850	885	6,00	40	11	24	5,40
JK-90MT/JK-90LA	900	905	950	985	6,00	40	11	24	6,05
JK-100MT/JK-100LA	1000	1005	1050	1085	6,00	40	11	24	6,69