

## Cyclone type JA

Cyclone type JA is intended for separation of fine grain particles in transport and dust extraction plants.

Cyclones are designed for high efficiency.

Powder coating corrosion class C3.

Legs are non-standard, but available as optional extras.

Cleaning door in cone is an optional extra.

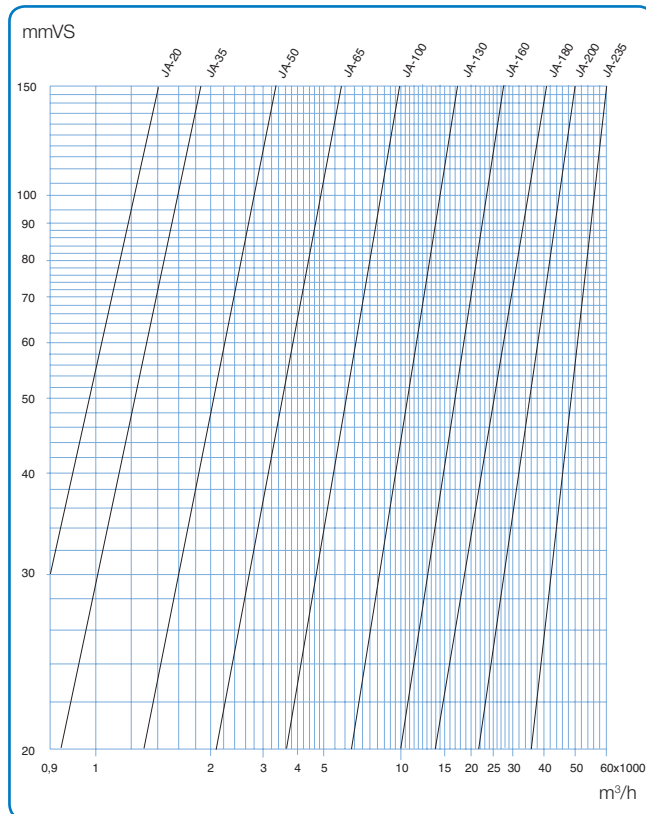
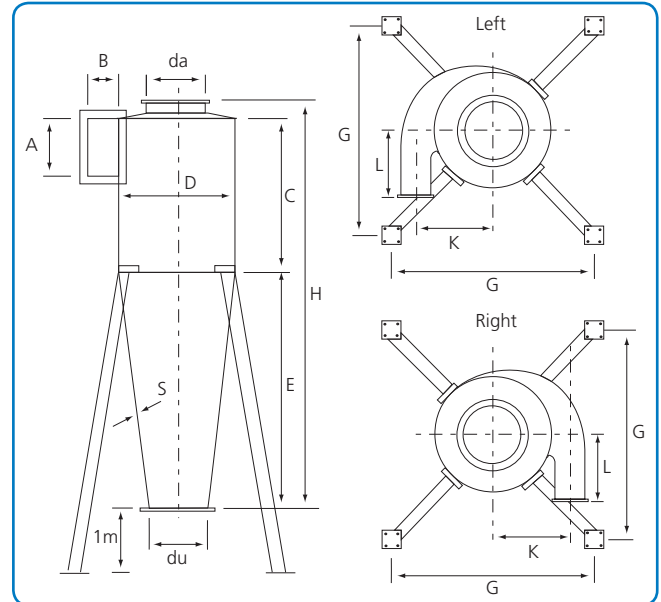
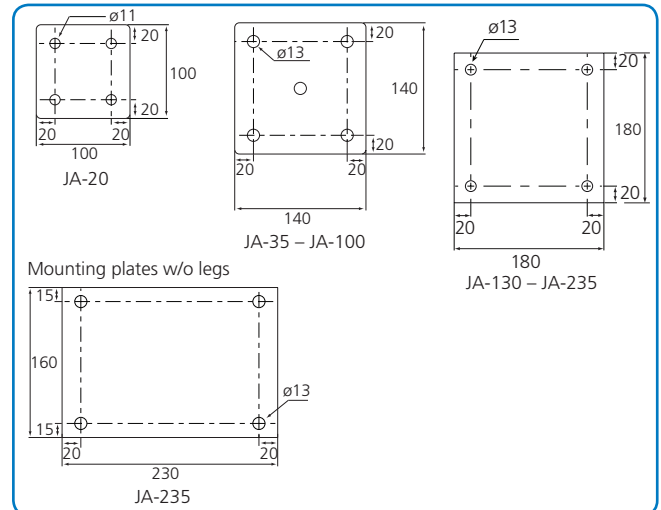


Diagram states pressure loss in cyclone at a given air volume measured in m<sup>3</sup>/h.



Dimensional specifications for lengths are given in the table below. Legs are optional extras.



Base plate

| Type   | Dimensions |      |      |      |       |       |      |      |      |      |      |      | Weight kg |
|--------|------------|------|------|------|-------|-------|------|------|------|------|------|------|-----------|
|        | A mm       | B mm | C mm | D mm | da mm | du mm | E mm | G mm | H mm | S mm | K mm | L mm |           |
| JA-20  | 230        | 100  | 570  | 400  | 225   | 160   | 820  | 1050 | 1465 | 2    | 240  | 240  | 41        |
| JA-35  | 285        | 125  | 710  | 500  | 250   | 200   | 1020 | 1200 | 1790 | 2    | 297  | 300  | 55        |
| JA-50  | 350        | 160  | 710  | 500  | 250   | 200   | 1020 | 1200 | 1790 | 2    | 310  | 300  | 61        |
| JA-65  | 445        | 200  | 995  | 700  | 400   | 300   | 1405 | 1539 | 2500 | 2    | 419  | 420  | 115       |
| JA-100 | 560        | 300  | 1500 | 1000 | 550   | 400   | 2050 | 1960 | 3752 | 2    | 615  | 600  | 244       |
| JA-130 | 750        | 400  | 2000 | 1280 | 700   | 450   | 2820 | 2305 | 5090 | 3    | 789  | 700  | 565       |
| JA-160 | 1100       | 500  | 2000 | 1600 | 800   | 550   | 3150 | 2690 | 5420 | 3    | 1050 | 900  | 835       |
| JA-180 | 1500       | 500  | 2500 | 1800 | 1000  | 650   | 3450 | 2790 | 6250 | 3    | 1157 | 950  | 1135      |
| JA-200 | 1310       | 700  | 2800 | 2000 | 1250  | 800   | 4100 | 3400 | 7100 | 3    | 1310 | 1100 | 1415      |
| JA-235 | 1850       | 800  | 3350 | 2350 | 1500  | 950   | 4860 | 3440 | 8500 | 3    | 1440 | 1200 | 2060      |